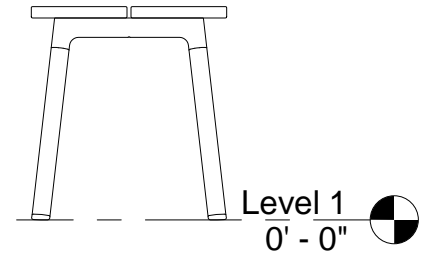
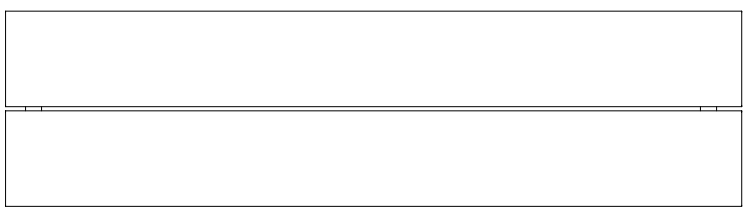


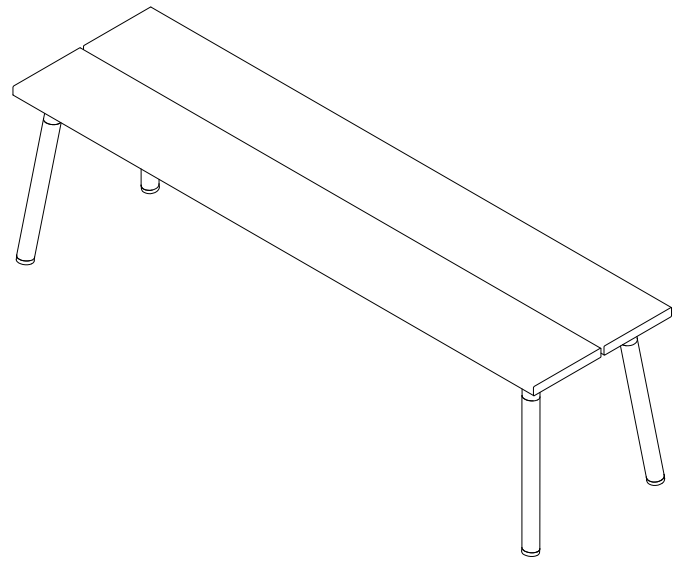
① Front View
3/4" = 1'-0"



② Side View
3/4" = 1'-0"



③ Plan View
3/4" = 1'-0"



④ 3D View

corbisglobal
corbisstudio lightbox kitelabs

Emeco
EMC Revit
Families

**RUN 3 SEAT
BENCH-RB3SB**

Project number	CG160783
Date	160527
Drawn by	Contino
Checked by	Contino

A100

Scale 3/4" = 1'-0"